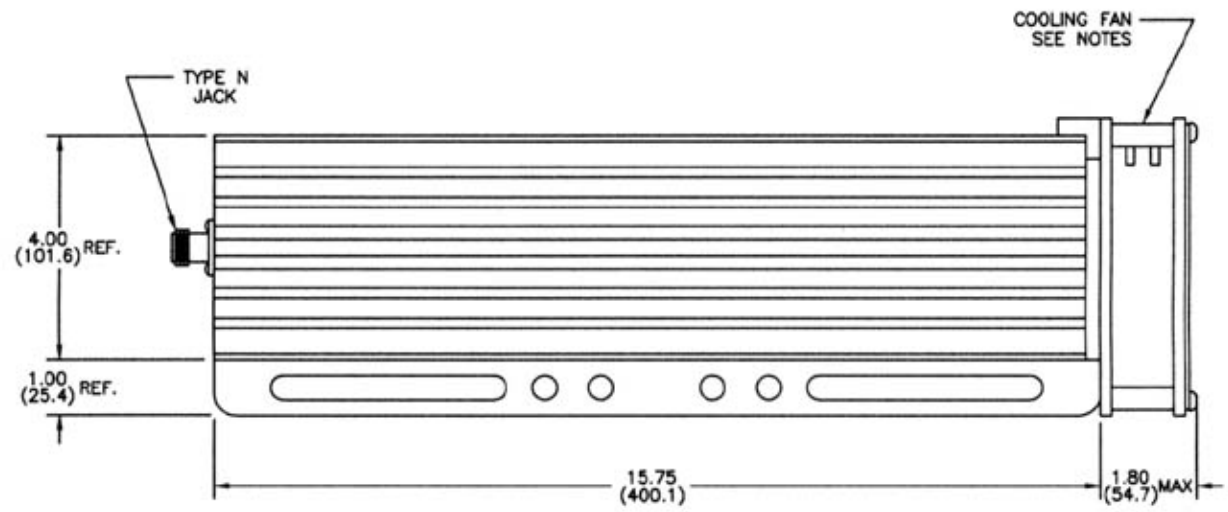
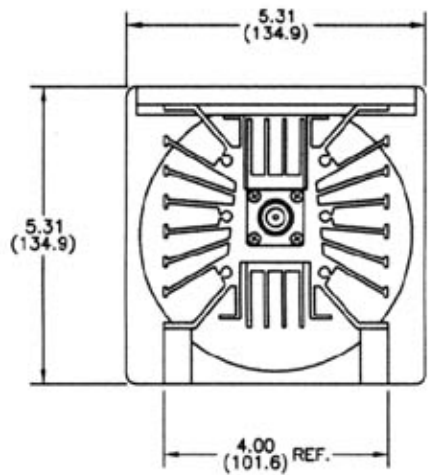


REVISIONS					
REV	ZONE	DESCRIPTION	DATE	BY	ECO



SPECIFICATIONS

- FREQUENCY RANGE - DC TO 2.4 GHz
- IMPEDANCE - 50 OHMS
- VSWR (1.0 GHz) - 1.20:1 MAX.
- (2.4 GHz) - 1.30:1 MAX.
- INPUT POWER (AVG.) - 1000 WATTS
- (PEAK) - 2000 WATTS
- OPERATING TEMPERATURE - -55°C TO +125°C
- CONNECTOR - TYPE N FEMALE
- COOLING: 159 C.F.M. FORCED AIR FAN COOLED
- 115 V. - 50/60 Hz. OR
- 230 V. - 50/60 Hz. AS REQUIRED

DIMENSIONS: INCHES (MILLIMETERS)

ITEM	PART NUMBER	DESCRIPTION	QTY.
ASSEMBLY LIST			
DRAWN BY: J.C. COLLIER CHECKED BY: J.C. COLLIER DATE: 10-24-61		THE INFORMATION CONTAINED IN THIS DOCUMENT IS THE PROPERTY OF MICROWAVE DEVICES, INC. AND IS LOANED TO YOU FOR YOUR INFORMATION ONLY. IT IS NOT TO BE REPRODUCED OR TRANSMITTED IN ANY FORM OR BY ANY MEANS, ELECTRONIC OR MECHANICAL, INCLUDING PHOTOCOPYING, RECORDING, OR BY ANY INFORMATION STORAGE AND RETRIEVAL SYSTEM, WITHOUT PERMISSION IN WRITING FROM MICROWAVE DEVICES, INC.	
SIGNATURE: J.C. COLLIER DATE: 10-24-61		MICROWAVE DEVICES TERMINATION, 1000 WATT MODEL 61000NF	
PART NUMBER: 60674-01		QUANTITY: 1000	
DRAWN BY: J.C. COLLIER		CHECKED BY: J.C. COLLIER	
DATE: 10-24-61		DATE: 10-24-61	
SHEET: 1 OF 1		SHEET: 1 OF 1	